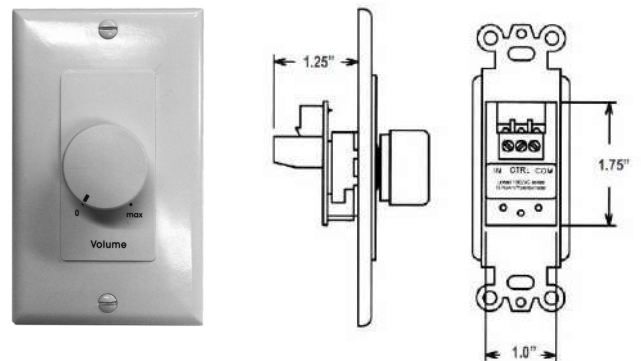


SMS-ZN-VC

Sound Masking Zone Volume Knob smartSMS-NET Sound Masking System

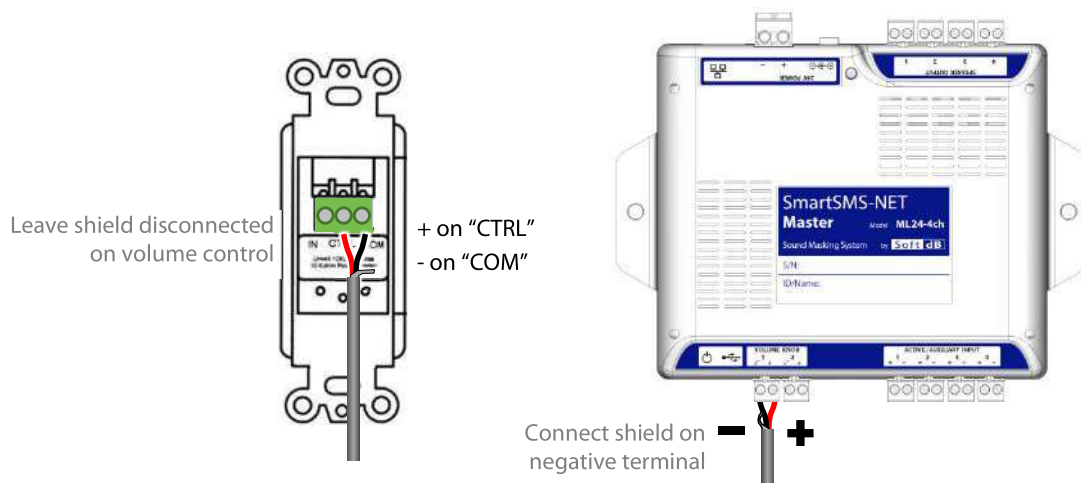
The smartSMS-NET controllers are equipped 2 inputs for volume control knobs which can control sound masking and/or music on any given zone or group of zones. The SMS-ZN-VC volume knob interfaces directly with the smartSMS-NET controller volume knob input.

Specifications	
Wall Plate	Decora, 1-gang
Colors	White, Black, or Almond
Connector	Screw-on
Recommended Wiring	22AWG-2 Shielded



Wiring Instructions

Use 22 AWG shielded cable to connect the SMS-ZN-VC to the smartSMS-NET controller. On the SMS-ZN-VC, connect the "CTRL" connector to the red wire and the "COM" connector to the black wire. Leave the shield wire disconnected. On the smartSMS-NET controller, connect the red wire to the "+" connector and connect the black wire and the shield on the "-" connector.



Note: When a long cable is used, it's recommended to run the cable separate from the speaker lines. A minimal distance on 12 inches between the speaker wires and the volume control cable is recommended.

V20190702