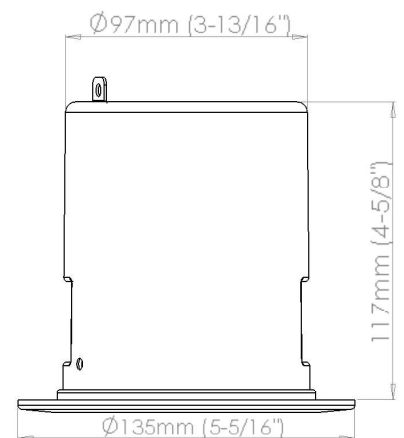
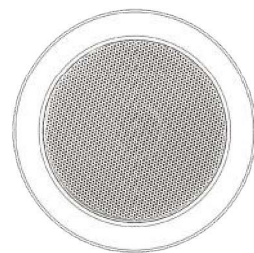


# SMS-SURF4

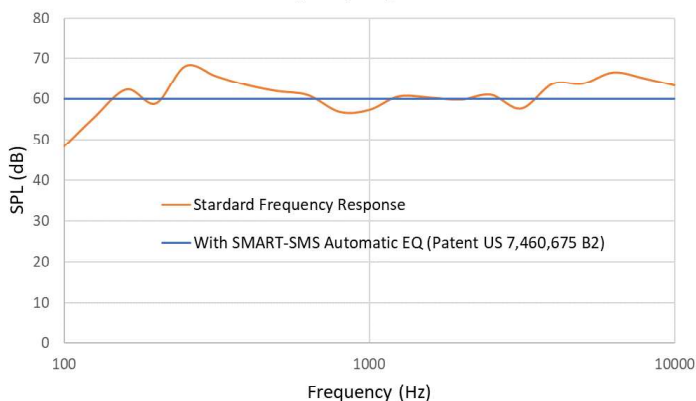
## Sound Masking System Surface Loudspeaker

The SMS-SURF4 is a compact sound masking and paging speaker designed for flush-mounted applications on ceiling tiles or drywall ceilings. It can be powered by a constant voltage amplifier unit of 25 or 70 Volts and many speaker units can be daisy chained for greater sound masking and paging coverage.

Specifications	
Max Power	10W
Sensitivity	87 dB
Enclosure Material	Steel
Frequency Response	100 Hz to 10 kHz
Connector	Screw Terminal Block
Output Power Selection	4w, 2W, 1W, 1/2w
Driver	9,5 cm (4") full range
Certification	UL 60065 / UL 2043
Chicago CCEA approved	Yes – CCEA version available
Color	White (RAL9016)
Weight	1.2 kg (2.6 lbs)
Shipping Weight	1.6 kg (3.5 lbs)
Box Dimensions	17 x 17 x 18 cm (6¾" x 6¾" x 7")
Attachment	2 Spring
Recommended hole size	100mm (4")



Frequency Response



Directivity

